

Caldaia - Boiler - Chaudiere - Kessel

WBO-WE1

rev.00

ALE

WBO-WE2

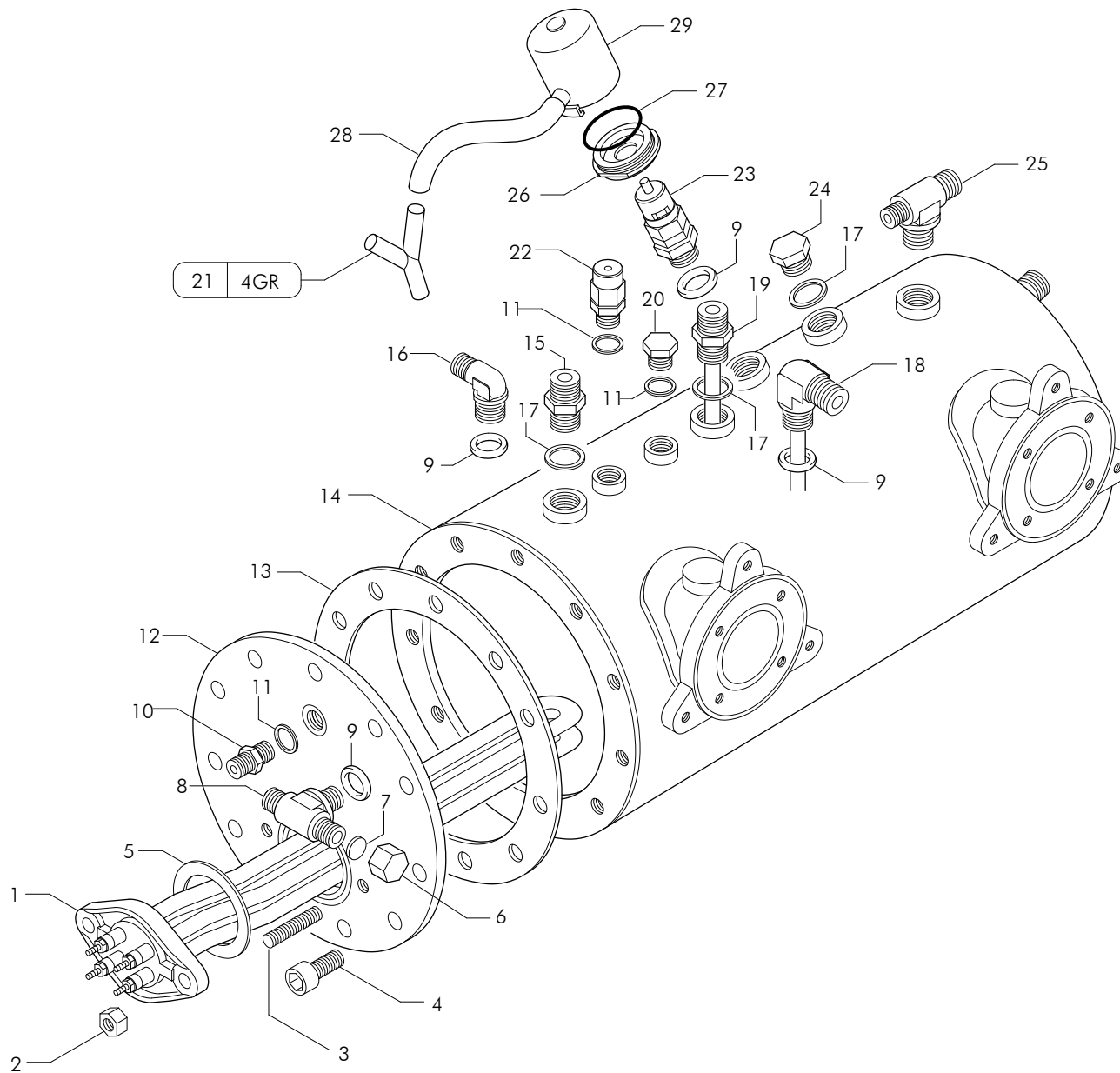
rev.00

rev.01

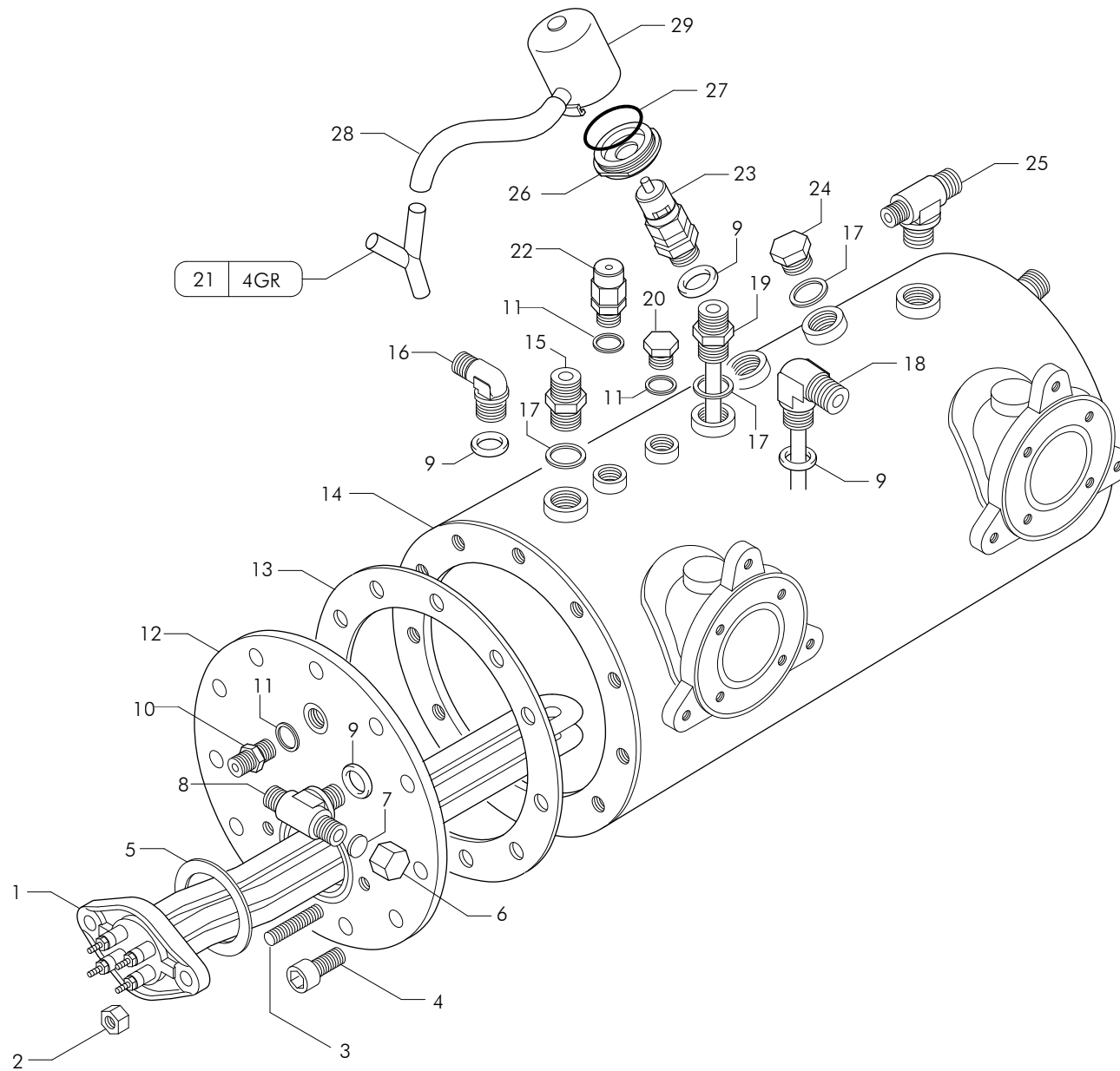
EMA - EPU - EVD

CALDAIA - BOILER - CHAUDIERE - KESSEL

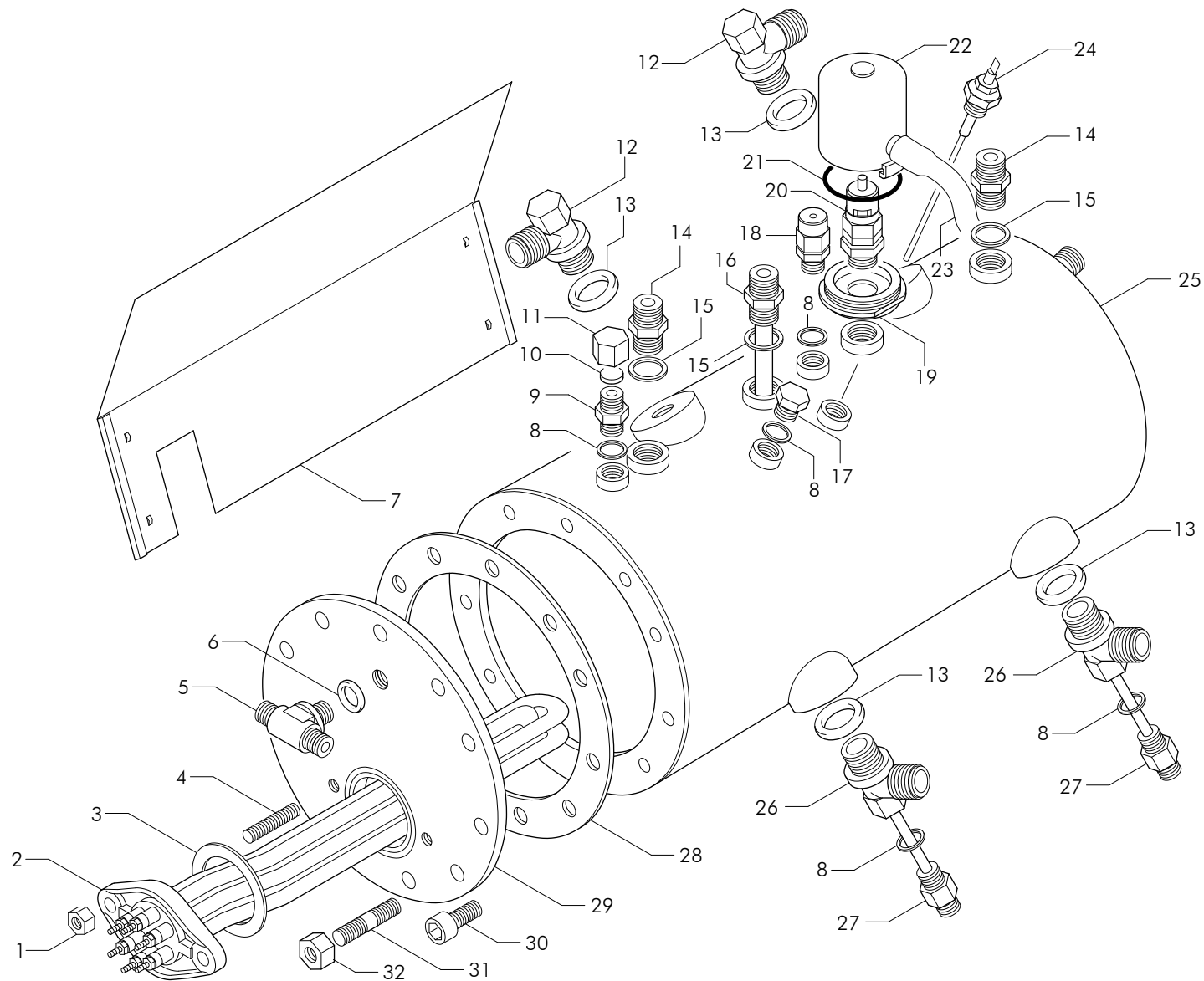
ALE - EMA - EPU - EVD



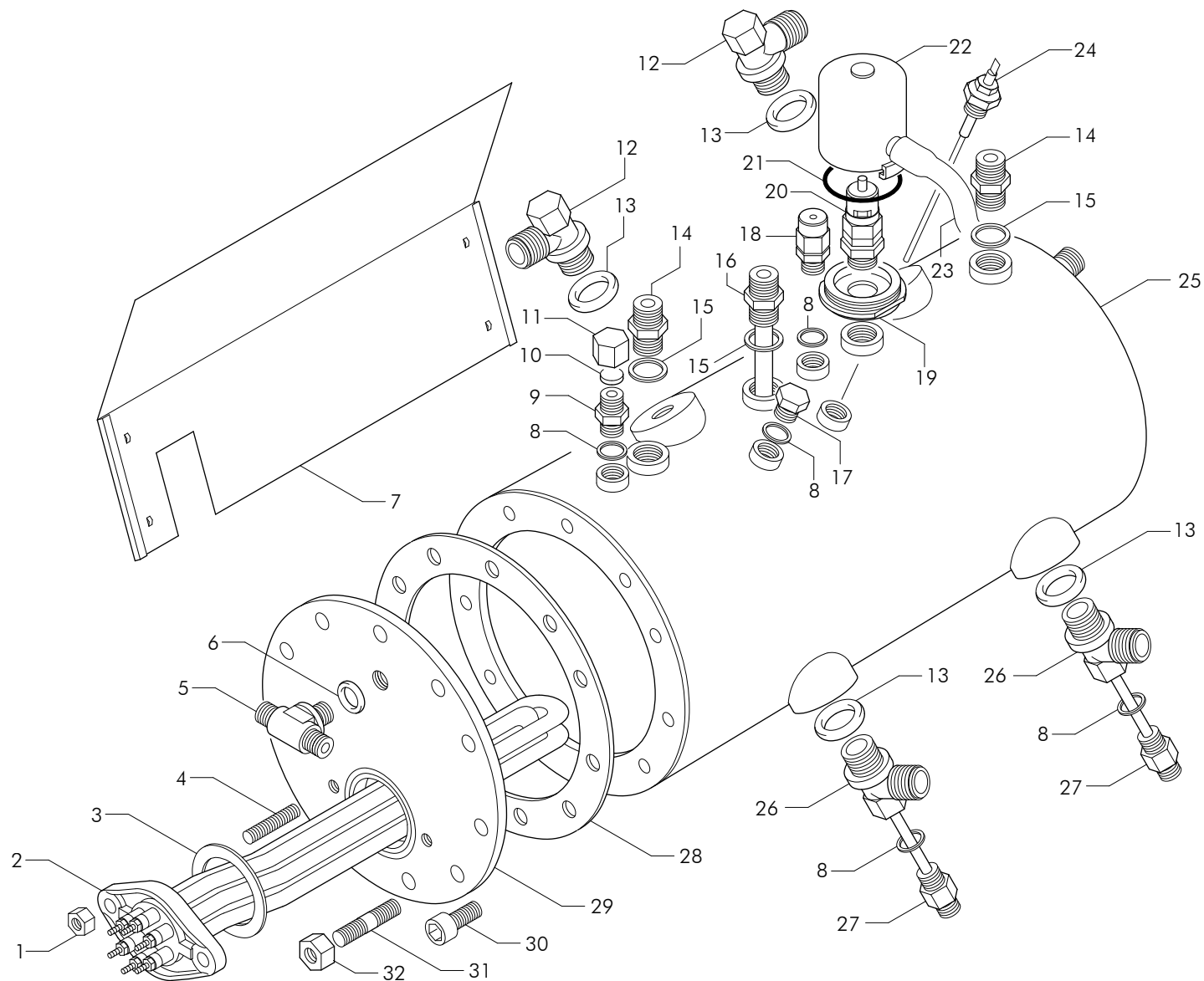
Pos	Cod.	Denominazione - IT -	Denomination - GB -	Denomination - FR -	Denomination - DE -
1	WY17001	RESISTENZA 1GR 4P 120V 2000W	HEATING ELEMENT 1GR 110V-2000W	RESISTANCE ELECTRIQUE 1GR 110V2000W	HEIZKORPER 1 GR 110V 2000W
1	WY17002	RES.1GR 4P 230/240V 2000W	HEATING ELEMENT 1GR 220V/240V 2000W	RESISTANCE ELEC.1GR 220V/240V 2000W	HEIZKORPER 1GR 220V/240V 2000W
1	WY17003	RES.1GR 4P 230/240V 1700W	HEATING ELEMENT 1GR 230/240V 1700W	RESISTANCE 1GR 230/240V 1700W	HEIZKORPER 1GR 230/240V 1700W
1	WY17006	RESISTENZA 1GR 6P 230/380V 1800W	HEAT.ELEMENT 1GR 220/380 2000W 6P	RESISTANCE 1GR 220/380 2000W 6POLES	HEIZKORPER 1GR 220/380 2000W
1	WY17010	RES.1GR 2P 120V 1500W	HEATING ELEMENT 1GR 110V 1500W	RESISTENCE 1GR 110V 1500W	HEIZKORPER 1GR 110V 1500W
1	WY17011	RES.1GR 2P 230/240V 1500W	HEATING ELEMENT 1GR 220/240V 1500W	RESISTENCE 1GR 220/240V 1550W	HEIZKORPER 1GR 220/240V 1500W
1	WY17012	RESISTENZA 1GR 6P 230/380V 2700W	HEAT.ELEM.1GR 230/380V 2700W 6POLES	RESISTANCE 1GR 230/380V 2700W/6POLES	HEIZKORPER 1GR 230/380V 2700W 6POLES
1	WY17050	RES.2GR 4P 120V 2600W	HEATING ELEMENT 2GR 110V-2600W	RESISTANCE ELEC. 2GR 110V-2600W	HEIZKORPER 2GR 110V-2600W
1	WY17051	RESISTENZA 2GR 4P 230/240V 2600W	HEATING ELEMENT 2GR 220V/240V-2600W	RESISTANCE ELEC.2GR 220V/240V-2600W	HEIZKORPER 2GR 220V/240V 2600W
1	WY17053	RES.2GR 4P 380V 4000W	HEATING ELEMENT 2GR 380V 4000W	RESISTANCE ELEC. 2GR 380V 4000W	HEIZKORPER 2GR 380V 4000W
1	WY17054	RESISTENZA 2GR 6P 230/380V 2600W	HEATING EL.2GR 220/380V-2600W 6POLE	RESISTANCE 2GR 220V/380V-2600W 6P	HEIZKORPER 2GR 220V/380V-2600 6P
1	WY17056	RES.2GR 4P 230/240V 4000W	HEATING ELEMENT 2GR 220/240V 4000W	RESISTANCE ELEC. 2GR 220/240V 4000W	HEIZKORPER 2GR 220/240V 4000W
1	WY17057	RESISTENZA 2GR 6P 230/380V 4000W	HEATING EL. 2GR 220/380V-4000W 6P	RESISTANCE 2GR 220/380V 4000W 6P.	HEIZKORPER 2GR 220/380V 4000W 6P
1	WY17059	RESISTENZA 2GR 6P 230/380V 3400W	HEATING EL.2GR 220/380V-3400W 6POLE	RESISTANCE 2GR 220/380V-3400W 6POLE	HEIZKORPER 2GR 220/380V-3400W 6P
1	WY17060	RESISTENZA 2GR 6P 230/380V 4500W	HEATING EL.2GR 230/380V 4500W 6POLE	RESISTANCE 2GR 230/380V 4500W 6POLE	HEIZKORPER 2GR 230/380V 4500W 6P
1	WY17063	RESISTENZA 2GR 6P 230/380V 6000	HEATING EL. 2GR 220/380V 6000W 6P	RESISTANCE ELEC. 220/380V 6000W 6P	HEIZKORPER 2GR 220/380V 6000W 6P
1	WY17100	RES.3GR 4P 120V 3700W	HEATING ELEMENT 3 GR 110V 3700W	RESISTANCE ELEC. 3GR 110V 3700W	HEIZKORPER 3GR 110V 3700W
1	WY17101	RES.3GR 4P 230/240V 3700W	HEATING ELEMENT 3GR 220/240V 3700W	RESISTANCE ELEC. 3GR 220/240V 3700W	HEIZKORPER 3GR 220/240V-3700W
1	WY17103	RES.3GR 4P 380V 5000W	HEATING ELEMENT 3GR 380V 3700W	RESISTANCE ELEC. 3GR 380V 3700W	HEIZKORPER 3GR 380V 3700W
1	WY17106	RES.3GR 4P 230/240V 5000W	HEATING ELEMENT 3GR 220/240V 5000W	RESISTANCE ELEC. 3GR 220/240V 5000W	HEIZKORPER 3GR 220/240V 5000W
1	WY17107	RESISTENZA 3GR 6P 230/380V 5000W	HEATING EL. 3GR 220/380V 5000W 6P	RESISTANCE 3GR 220/380V 5000W 6P	HEIZKORPER 3GR 220/380V 5000W 6P
1	WY17150	RES.4GR 4P 230/240V 5000W	HEATING ELEMENT 4GR 220/240V 5000W	RESISTANCE ELEC. 4GR 220/240V 5000W	HEIZKORPER 4GR 220/240V 5000W
1	WY17151	RES.4GR 6P 230/380V 5000W	HEATING EL. 4GR 220/380V 5000W 6P	RESISTANCE 4GR 220/380V 5000W 6P	HEIZKORPER 4GR 220/380V 5000W 6P
1	WY17153	RES.4GR 6P 230/380V 6000W	HEATING EL. 4GR 220/380V 7000W 6P	RESISTANCE 4GR 220/380V 7000W 6P	HEIZKORPER 4GR 220/380V 7000W 6P
2	WY23049	DADO OTTONE M8 UNI 5587	BRASS NUT M8 UNI 5587	ECROU LAITON M8 UNI 5587	MESSING-SCHRAUBENMUTTER M8 UNI 5587
3	WY23133	PRIGIONIERO INOX AISI304 8X30 DIN 939	STAINLESS STEEL BOLT AISI304 8X40	VIS INOX AISI304 8X40	STAHLSCHRAUBE 8X40 AISI304 8X40
4	WY23556	VITE TCEI INOX 10X20 UNI5931 DIN912	STEEL SCREW TCCE 10X20	VIS INOX TCCE 10X20	STAHLSCHRAUBE TCCE 10X20
5	WY12001	GUARNIZIONE TEFLON VERGINE X RES/SCA	TEFLON GASKET ELEMENT/EXCH. 58X43X2	JOINT TEFLON RESIST/ECHANG. 58X43X2	TEFLON DICHTUNG 58X23X2
6	WY25782	TAPPO FEMMINA 1/4 GAS	1/4 GAS FEMALE TAP	BOUCHON FEMELLE 1/4 GAZ	INNENANSCHLUSSSTÖPSEL 1/4 GAS
7	WY12007	GUARNIZIONE KLINGERSIL4400	KLINGERSIL4400 COPPER SEAL	JOINT KLINGERSIL4400 POUR BOUCHON	DICHTUNG KLINGER SIL4400 X DECKEL
8	WY43060	RACCORDO 1/4X1/4X1/4 T	'T' CONNECTOR 1/4 + 1/4 + 1/4	RACCORD 'T' 1/4 + 1/4 + 1/4	T'-ANSCHLUSS 1/4+1/4+1/4
9	WY12101	GUARNIZIONE CU/ALIM 3/8 22X17X3	3/8 22X17X3 FEEDER/COPPER SEAL	JOINT CUIVRE/ALIM 3/8 22X17X3	KUPFERDICHTUNG/SPEIS. 3/8 22X17X3
10	WY25686	RACCORDO 1/4X1/4 FLANGIA	CONNECTOR 1/4 X 1/4 FLANGE	RACCORD 1/4 X 1/4 BRIDE	ANSCHLUSS 1/4X1/4 FLANSCH
11	WY12153	GUARNIZIONE CU 1/4 17X13.3X1.5	1/4 17X13.3X1.5 COPPER SEAL	JOINT CUIVRE 1/4 17X13.3X1.5	KUPFERDICHTUNG 1/4 17X13.3X1.5
12	WY53011	FLANGIA NORMALE SENZA FORI	FLANGE WITHOUT HOLES	BRIDE SANS TROUS	NORMALER FLANSCH OHNE LÖCHER



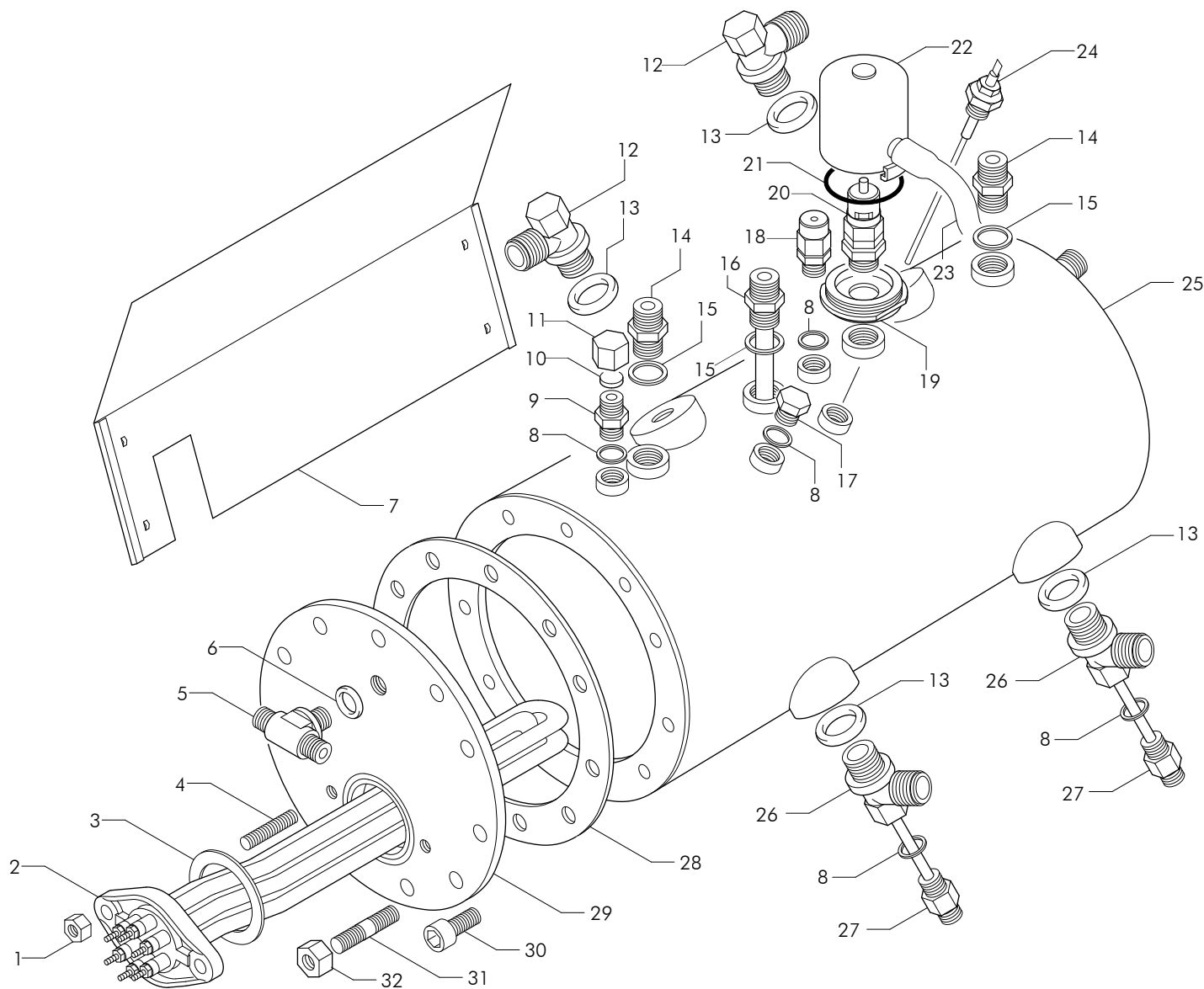
Pos	Cod.	Denominazione - IT -	Denomination - GB -	Denomination - FR -	Denomination - DE -
13	WY12003	GUARNIZIONE TEFLON VERGINEXCALDAIA	BOILER TEFLON GASKET 190X139X2	JOINT CHAUDIERE TEFLON 190X139X2	TEFLON KESSELDICHTUNG 190X139X2
14	WY62005	CALDAIA 1GR A LEVA OVE	BOILER AL/1 - 1/4+1/4	CHAUDIERE AL/1 - 1/4+1/4	KESSEL AL/1 - 1/4+1/4
14	WY62007	CALDAIA 1GR AL AEA	BOILER AL/1 AUT.WATER REFILL	CHAUDIERE AL/1 REM.EAU.AUT.	KESSEL AL/1 AUT.WASSERFULLUNG
14	WY62101	CALDAIA 2GR AL NORMALE AEA	BOILER 2GR AL - AUT. WATER REFILL	CHAUDIERE 2GR AL - REM.EAU.AUT.	KESSEL 2GR AL - AUT.WASSERFULLUNG
14	WY62107	CALDAIA 2GR A LEVA OVE	BOILER 2GR AL - OVE	CHAUDIERE 2GR AL - OVE	KESSEL 2GR AL - OVE
14	WY62243	CALDAIA 3GR A LEVA OVE	GOILER 3GR AL - OVE	CHAUDIERE 3GR AL - OVE	KESSEL 3GR AL - OVE
14	WY62350	CALDAIA AL/4 AEA	BOILER 4GR AL AUT.WATER REFILL	CHAUDIERE 4GR AL REM.EAU AUT.	KESSEL AL/4 AUT.WASSERFULLUNG
15	WY25687	RACCORDO 3/8X3/8 GAS	3/8X3/8 GAS FITTING	RACCORD 3/8X3/8 GAZ	ANSCHLUSS 3/8X3/8 GAS
16	WY43052	RACCORDO "L" 3/8	CONNECTOR 'L' 3/8	RACCORD 'L' 3/8	ANSCHLUSS 'L' 3/8
17	WY12154	GUARNIZIONE CU 3/8 22X17X1.5	3/8 22X17X1.5 COPPER SEAL	JOINT CUIVRE 3/8 22X17X1.5	KUPFERDICHTUNG 3/8 22X17X1.5
18	WY52000119	TBS.D-10 L.125 PESCANTE "L" A 50/A	D-10 125 L PIPE CUPWARMER AT 50/A	TUYAU D-10 L.125 POUR ASPIRATION "L"	ROHR D.10 L.125 A 50/A
19	WY52000118	TBS.D-10 L.130 AL - ER A 50 PESCANTE	TUBE D-10 L.100 AL A50	TUYAU D-10 L.100 AL A50	ROHR D-10 L.100 AL A50
20	WY25780	TAPPO MASCHIO OTTONE 1/4	BRASS MALE CAP 1/4	BOUCHON MALE LAITON 1/4	MESSING-STOPFEN 1/4
21	WY15422010	RACCORDO "Y" POLIPROPILENE D-10	"Y" POLIPROPILENE FITTING	RACCORD "Y" POLIPROPILENE	ANSCHLUSS "Y" POLIPROPILENE
22	WY56150	VALVOLA ANTIRISUCCHIO V.A.R.	ANTI-EDDY VALVE V.A.R.	SOUPAPE ANTI-DEPRESSION V.A.R.	VENTIL UNTERDRUCKFREI V.A.R.
23	WY20352	VALVOLA DI SICUREZZA *CE*	*CE* SAFETY VALVE	SOUPAPE DE SECURITE *CE*	SICHERHEITSVENTIL *CE*
23	WY20356	VALVOLA DI SICUREZZA CE ITALIA	*CE* SAFETY VALVE ITALY	SOUPAPE DE SECURITE *CE* ITALY	SICHERHEITSVENTIL *CE* ITALY
24	WY25785	TAPPO MASCHIO 3/8	MALE CAP 3/8	BOUCHON MALE 3/8	STOPFEN 3/8
25	WY43033	RACCORDO "T" 3/8X3/8X1/4	3/8X3/8X1/4 T FITTING	RACCORD "T" 3/8X3/8X1/4	ANSCHLUSS 3/8X3/8X1/4 T
26	WY15006001	FLANGIA GRIGOLY VALVOLA SIC.	FLANGE GRIVORY VALVE	JOINT GRIVORY VANNE	FLANSCH GRIVORY VENTIL
27	WY12300000	GUARNIZIONE OR 3156 VITON X PISTONI	O RING VITON	JOINT OR VITON	OR DICHTUNG VITON
28	WY15478002	TUBO SILICONE 8X11 L.70CM	SILICONE TUBE 8X11 L.70CM	TUYAU SILICONE 8X11 L.70CM	SILIKONROHR 8X11 L.70CM
29	WY56009980	ASSIEME PROTEZIONE VALVOLE SICUREZZA	UNIT PROTECTION VALVE	ENSEMBLE PROTECTION VANNE	SATZ-SCHUTZGITTER VENTIL



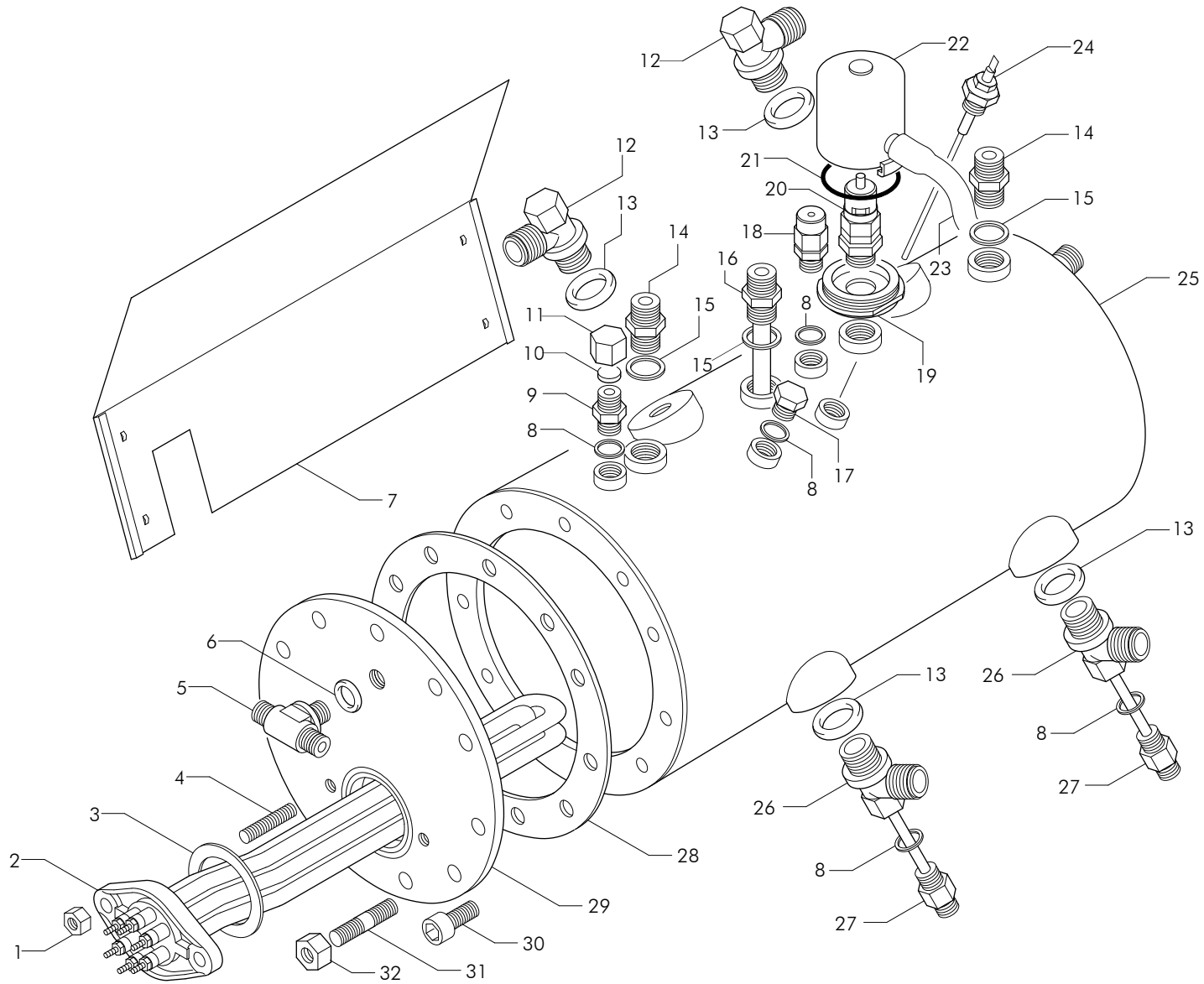
Pos	Cod.	Denominazione - IT -	Denomination - GB -	Denomination - FR -	Denomination - DE -
1	WY23049	DADO OTTONE M8 UNI 5587	BRASS NUT M8 UNI 5587	ECROU LAITON M8 UNI 5587	MESSING-SCHRAUBENMUTTER M8 UNI 5587
2	WY17000	RES.1GR 4P 120V 1700W	HEATING ELEMENT 1GR 120V 1700W	RESISTANCE 1GR 120V 1700W	HEIZKORPER 1GR 120V 1700W
2	WY17001	RESISTENZA 1GR 4P 120V 2000W	HEATING ELEMENT 1GR 110V-2000W	RESISTANCE ELECTRIQUE 1GR 110V2000W	HEIZKORPER 1 GR 110V 2000W
2	WY17002	RES.1GR 4P 230/240V 2000W	HEATING ELEMENT 1GR 220V/240V 2000W	RESISTANCE ELEC.1GR 220V/240V 2000W	HEIZKORPER 1GR 220V/240V 2000W
2	WY17003	RES.1GR 4P 230/240V 1700W	HEATING ELEMENT 1GR 230/240V 1700W	RESISTANCE 1GR 230/240V 1700W	HEIZKORPER 1GR 230/240V 1700W
2	WY17006	RESISTENZA 1GR 6P 230/380V 1800W	HEAT.ELEMENT 1GR 220/380 2000W 6P	RESISTANCE 1GR 220/380 2000W 6POLES	HEIZKORPER 1GR 220/380 2000W
2	WY17010	RES.1GR 2P 120V 1500W	HEATING ELEMENT 1GR 110V 1500W	RESISTENCE 1GR 110V 1500W	HEIZKORPER 1GR 110V 1500W
2	WY17011	RES.1GR 2P 230/240V 1500W	HEATING ELEMENT 1GR 220/240V 1500W	RESISTENCE 1GR 220/240V 1550W	HEIZKORPER 1GR 220/240V 1500W
2	WY17012	RESISTENZA 1GR 6P 230/380V 2700W	HEAT.ELEM.1GR 230/380V 2700W 6POLES	RESISTANCE 1GR 230/380V 2700W/6POLES	HEIZKORPER 1GR 230/380V 2700W 6POLES
2	WY17050	RES.2GR 4P 120V 2600W	HEATING ELEMENT 2GR 110V-2600W	RESISTANCE ELEC. 2GR 110V-2600W	HEIZKORPER 2GR 110V-2600W
2	WY17051	RESISTENZA 2GR 4P 230/240V 2600W	HEATING ELEMENT 2GR 220V/240V-2600W	RESISTANCE ELEC.2GR 220V/240V-2600W	HEIZKORPER 2GR 220V/240V 2600W
2	WY17053	RES.2GR 4P 380V 4000W	HEATING ELEMENT 2GR 380V 4000W	RESISTANCE ELEC. 2GR 380V 4000W	HEIZKORPER 2GR 380V 4000W
2	WY17054	RESISTENZA 2GR 6P 230/380V 2600W	HEATING EL.2GR 220/380V-2600W 6POLE	RESISTANCE 2GR 220V/380V-2600W 6P	HEIZKORPER 2GR 220V/380V-2600 6P
2	WY17056	RES.2GR 4P 230/240V 4000W	HEATING ELEMENT 2GR 220/240V 4000W	RESISTANCE ELEC. 2GR 220/240V 4000W	HEIZKORPER 2GR 220/240V 4000W
2	WY17057	RESISTENZA 2GR 6P 230/380V 4000W	HEATING EL. 2GR 220/380V-4000W 6P	RESISTANCE 2GR 220/380V 4000W 6P.	HEIZKORPER 2GR 220/380V 4000W 6P
2	WY17059	RESISTENZA 2GR 6P 230/380V 3400W	HEATING EL.2GR 220/380V-3400W 6POLE	RESISTANCE 2GR 220/380V-3400W 6POLE	HEIZKORPER 2GR 220/380V-3400W 6P
2	WY17060	RESISTENZA 2GR 6P 230/380V 4500W	HEATING EL.2GR 230/380V 4500W 6POLE	RESISTANCE 2GR 230/380V 4500W 6POLE	HEIZKORPER 2GR 230/380V 4500W 6P
2	WY17063	RESISTENZA 2GR 6P 230/380V 6000	HEATING EL. 2GR 220/380V 6000W 6P	RESISTANCE ELEC. 220/380V 6000W 6P	HEIZKORPER 2GR 220/380V 6000W 6P
2	WY17100	RES.3GR 4P 120V 3700W	HEATING ELEMENT 3 GR 110V 3700W	RESISTANCE ELEC. 3GR 110V 3700W	HEIZKORPER 3GR 110V 3700W
2	WY17101	RES.3GR 4P 230/240V 3700W	HEATING ELEMENT 3GR 220/240V 3700W	RESISTANCE ELEC. 3GR 220/240V 3700W	HEIZKORPER 3GR 220/240V-3700W
2	WY17103	RES.3GR 4P 380V 5000W	HEATING ELEMENT 3GR 380V 3700W	RESISTANCE ELEC. 3GR 380V 3700W	HEIZKORPER 3GR 380V 3700W
2	WY17106	RES.3GR 4P 230/240V 5000W	HEATING ELEMENT 3GR 220/240V 5000W	RESISTANCE ELEC. 3GR 220/240V 5000W	HEIZKORPER 3GR 220/240V 5000W
2	WY17107	RESISTENZA 3GR 6P 230/380V 5000W	HEATING EL. 3GR 220/380V 5000W 6P	RESISTANCE 3GR 220/380V 5000W 6P	HEIZKORPER 3GR 220/380V 5000W 6P
2	WY17150	RES.4GR 4P 230/240V 5000W	HEATING ELEMENT 4GR 220/240V 5000W	RESISTANCE ELEC. 4GR 220/240V 5000W	HEIZKORPER 4GR 220/240V 5000W
2	WY17151	RES.4GR 6P 230/380V 5000W	HEATING EL. 4GR 220/380V 5000W 6P	RESISTANCE 4GR 220/380V 5000W 6P	HEIZKORPER 4GR 220/380V 5000W 6P
2	WY17153	RES.4GR 6P 230/380V 6000W	HEATING EL. 4GR 220/380V 7000W 6P	RESISTANCE 4GR 220/380V 7000W 6P	HEIZKORPER 4GR 220/380V 7000W 6P
3	WY12001	GUARNIZIONE TEFLON VERGINE X RES/SCA	TEFLON GASKET ELEMENT/EXCH. 58X43X2	JOINT TEFLON RESIST/ECHANG. 58X43X2	TEFLON DICHTUNG 58X23X2
4	WY23133	PRIGIONIERO INOX AISI304 8X30 DIN 939	STAINLESS STEEL BOLT AISI304 8X40	VIS INOX AISI304 8X40	STAHLSCHRAUBE 8X40 AISI304 8X40
5	WY43060	RACCORDO 1/4X1/4X1/4 T	'T' CONNECTOR 1/4 + 1/4 + 1/4	RACCORD 'T' 1/4 + 1/4 + 1/4	T'-ANSCHLUSS 1/4+1/4+1/4
6	WY12100	GUARNIZIONE CU/ALIM 1/4 18.7X13.2X2.5	CU GASKET 1/4 18.7X13.2X2.5	JOINT CU 1/4 18.7X13.2X2.5	CU DICHTUNG 1/4 18.7X13.2X2.5
7	WY77415	PANN.COPRICALDAIA 1GR ZN WE	BOILER COVER PANEL 1GR ZN WE	PANNEAU COUVRE-CHAUDIERE 1GR ZN WE	KESSELDECKUNG TAFEL 1GR ZN WE
7	WY77416	PANN.COPRICALDAIA 2GR ZN WE	BOILER COVER PANEL 2GR ZN WE	PANNEAU COUVRE-CHAUDIERE 2GR ZN WE	KESSELDECKUNG TAFEL 2GR ZN WE
7	WY77417	PANN.COPRICALDAIA 3GR ZN WE	BOILER COVER PANEL 3GR ZN WE	PANNEAU COUVRE-CHAUDIERE 3GR ZN WE	KESSELDECKUNG TAFEL 3GR ZN WE
7	WY77418	PANN.COPRICALDAIA 4GR ZN WE	BOILER COVER PANEL 4GR ZN WE	PANNEAU COUVRE-CHAUDIERE 4GR ZN WE	KESSELDECKUNG TAFEL 4GR ZN WE
8	WY12153	GUARNIZIONE CU 1/4 17X13.3X1.5	1/4 17X13.3X1.5 COPPER SEAL	JOINT CUIVRE 1/4 17X13.3X1.5	KUPFERDICHTUNG 1/4 17X13.3X1.5
9	WY25686	RACCORDO 1/4X1/4 FLANGIA	CONNECTOR 1/4 X 1/4 FLANGE	RACCORD 1/4 X 1/4 BRIDE	ANSCHLUSS 1/4X1/4 FLANSCH
10	WY12007	GUARNIZIONE KLINGERSIL4400	KLINGERSIL4400 COPPER SEAL	JOINT KLINGERSIL4400 POUR BOUCHON	DICHTUNG KLINGER SIL4400 X DECKEL



Pos	Cod.	Denominazione - IT -	Denomination - GB -	Denomination - FR -	Denomination - DE -
11	WY25782	TAPPO FEMMINA 1/4 GAS	1/4 GAS FEMALE TAP	BOUCHON FEMELLE 1/4 GAZ	INNENANSCHLUSSSTÖPSEL 1/4 GAS
12	WY23214	RACCORDO 1/2 L	CONNECTOR 1/2 L	RACCORD 1/2 L	FITTING 1/2 L
13	WY12105	GUARNIZIONE CU/ALIM 1/2 GAS	CU GASKET 1/2 GAS	JOINT CU 1/2 GAZ	CU DICHTUNG 1/2 GAS
14	WY25687	RACCORDO 3/8X3/8 GAS	3/8X3/8 GAS FITTING	RACCORD 3/8X3/8 GAZ	ANSCHLUSS 3/8X3/8 GAS
15	WY12154	GUARNIZIONE CU 3/8 22X17X1.5	3/8 22X17X1.5 COPPER SEAL	JOINT CUIVRE 3/8 22X17X1.5	KUPFERDICHTUNG 3/8 22X17X1.5
16	WY52000118	TBS.D-10 L.130 AL - ER A 50 PESCANTE	TUBE D-10 L.100 AL A50	TUYAU D-10 L.100 AL A50	ROHR D-10 L.100 AL A50
16	WY52000184	TBS.D-10 L.120 CORTO A50/C PESCANTE	TUBE D-10 L.120 A50/C	TUYAU D-10 L.120 A50/C	ROHR D-10 L.120 A50/C
17	WY25780	TAPPO MASCHIO OTTONE 1/4	BRASS MALE CAP 1/4	BOUCHON MALE LAITON 1/4	MESSING-STOPFEN 1/4
18	WY56150	VALVOLA ANTIRISUCCHIO V.A.R.	ANTI-EDDY VALVE V.A.R.	SOUPAPE ANTI-DEPRESSION V.A.R.	VENTIL UNTERDRUCKFREI V.A.R.
19	WY15006001	FLANGIA GRIGOLY VALVOLA SIC.	FLANGE GRIVORY VALVE	JOINT GRIVORY VANNE	FLANSCH GRIVORY VENTIL
20	WY20352	VALVOLA DI SICUREZZA *CE*	*CE* SAFETY VALVE	SOUPAPE DE SECURITE *CE*	SICHERHEITSVENTIL *CE*
20	WY20356	VALVOLA DI SICUREZZA CE ITALIA	*CE* SAFETY VALVE ITALY	SOUPAPE DE SECURITE *CE* ITALY	SICHERHEITSVENTIL *CE* ITALY
21	WY12300000	GUARNIZIONE OR 3156 VITON X PISTONI	O RING VITON	JOINT OR VITON	OR DICHTUNG VITON
22	WY56009980	ASSIEME PROTEZIONE VALVOLE SICUREZZA	UNIT PROTECTION VALVE	ENSEMBLE PROTECTION VANNE	SATZ-SCHUTZGITTER VENTIL
23	WY15478002	TUBO SILICONE 8X11 L.70CM	SILICONE TUBE 8X11 L.70CM	TUYAU SILICONE 8X11 L.70CM	SILIKONROHR 8X11 L.70CM
24	WY20251	SONDA LIVELLO TL 10/B L125 908600	TL 10/B L125 900000 LEVEL PROBE	JAUGE TL 10/B L125 900000	PEGELFÜHLER TL 10/B L125 900000
25	WY62050	CALDAIA 1GR WEGA ER	BOILER 1GR - DISTRIBUTION	CHAUDIERE 1GR - DEBIT	KESSEL 1GR - AUSGABE
25	WY62204	CALDAIA 2GR WEGA EROGAZIONE	BOILER 2GR DISTRIBUTION	CHAUDIERE 2GR DEBIT	KESSEL 2GR AUSGABE
25	WY62281	CALDAIA 3GR ER WEGA	BOILER 3GR DISTRIBUTION	CHAUDIERE 3GR DEBIT	KESSEL 3GR AUSGABE
25	WY62380	CALDAIA 4GR ER WEGA	BOILER 4GR DISTRIBUTION	CHAUDIERE 4GR DEBIT	KESSEL 4GR AUSGABE
26	WY23215	RACCORDO 1/2 T	CONNECTOR 'T' 1/2	RACCORD 1/2 "T"	FITTING 1/2 "T"
27	WY52002788	TBS.D-6 L.85 1-4GR W 67 INIETTORE	DRAIN TUBE D6 L85 1-4GR	TUYAU A VIDANGER D6 L85 1-4GR	ROHR D-6 L.85
28	WY12003	GUARNIZIONE TEFLON VERGINEXCALDAIA	BOILER TEFLON GASKET 190X139X2	JOINT CHAUDIERE TEFLON 190X139X2	TEFLON KESSELDICHTUNG 190X139X2
29	WY53011	FLANGIA NORMALE SENZA FORI	FLANGE WITHOUT HOLES	BRIDE SANS TROUS	NORMALER FLANSCH OHNE LÖCHER
30	WY23556	VITE TCEI INOX 10X20 UNI5931 DIN912	STEEL SCREW TCCE 10X20	VIS INOX TCCE 10X20	STAHLSCHRAUBE TCCE 10X20
31	WY23135	PRIG.INOX MEM ASTM-A193 B8 10X32 CT	STEEL BOLT ASTM-A193 B8 10X32 CT	VIS INOX ASTM-A193 B8 10X32 CT	STAHLSCHRAUBE ASTM-A193 B8 10X32 CT
32	WY23052	DADO OTTONE M10 UNI 5587 #	TOP BRASS NUT M10 UNI 5587	ECROU LAITON SUPERIEUR M10 UNI 5587	UNTER/MESSING MUTTER M10 UNI 5587



Pos	Cod.	Denominazione - IT -	Denomination - GB -	Denomination - FR -	Denomination - DE -
1	WY23049	DADO OTTONE M8 UNI 5587	BRASS NUT M8 UNI 5587	ECROU LAITON M8 UNI 5587	MESSING-SCHRAUBENMUTTER M8 UNI 5587
2	WY17000	RES.1GR 4P 120V 1700W	HEATING ELEMENT 1GR 120V 1700W	RESISTANCE 1GR 120V 1700W	HEIZKORPER 1GR 120V 1700W
2	WY17001	RESISTENZA 1GR 4P 120V 2000W	HEATING ELEMENT 1GR 110V-2000W	RESISTANCE ELECTRIQUE 1GR 110V2000W	HEIZKORPER 1 GR 110V 2000W
2	WY17002	RES.1GR 4P 230/240V 2000W	HEATING ELEMENT 1GR 220V/240V 2000W	RESISTANCE ELEC.1GR 220V/240V 2000W	HEIZKORPER 1GR 220V/240V 2000W
2	WY17003	RES.1GR 4P 230/240V 1700W	HEATING ELEMENT 1GR 230/240V 1700W	RESISTANCE 1GR 230/240V 1700W	HEIZKORPER 1GR 230/240V 1700W
2	WY17006	RESISTENZA 1GR 6P 230/380V 1800W	HEAT.ELEMENT 1GR 220/380 2000W 6P	RESISTANCE 1GR 220/380 2000W 6POLES	HEIZKORPER 1GR 220/380 2000W
2	WY17010	RES.1GR 2P 120V 1500W	HEATING ELEMENT 1GR 110V 1500W	RESISTENCE 1GR 110V 1500W	HEIZKORPER 1GR 110V 1500W
2	WY17011	RES.1GR 2P 230/240V 1500W	HEATING ELEMENT 1GR 220/240V 1500W	RESISTENCE 1GR 220/240V 1550W	HEIZKORPER 1GR 220/240V 1500W
2	WY17012	RESISTENZA 1GR 6P 230/380V 2700W	HEAT.ELEM.1GR 230/380V 2700W 6POLES	RESISTANCE 1GR 230/380V 2700W/6POLES	HEIZKORPER 1GR 230/380V 2700W 6POLES
2	WY17050	RES.2GR 4P 120V 2600W	HEATING ELEMENT 2GR 110V-2600W	RESISTANCE ELEC. 2GR 110V-2600W	HEIZKORPER 2GR 110V-2600W
2	WY17051	RESISTENZA 2GR 4P 230/240V 2600W	HEATING ELEMENT 2GR 220V/240V-2600W	RESISTANCE ELEC.2GR 220V/240V-2600W	HEIZKORPER 2GR 220V/240V 2600W
2	WY17053	RES.2GR 4P 380V 4000W	HEATING ELEMENT 2GR 380V 4000W	RESISTANCE ELEC. 2GR 380V 4000W	HEIZKORPER 2GR 380V 4000W
2	WY17054	RESISTENZA 2GR 6P 230/380V 2600W	HEATING EL.2GR 220/380V-2600W 6POLE	RESISTANCE 2GR 220V/380V-2600W 6P	HEIZKORPER 2GR 220V/380V-2600 6P
2	WY17056	RES.2GR 4P 230/240V 4000W	HEATING ELEMENT 2GR 220/240V 4000W	RESISTANCE ELEC. 2GR 220/240V 4000W	HEIZKORPER 2GR 220/240V 4000W
2	WY17057	RESISTENZA 2GR 6P 230/380V 4000W	HEATING EL. 2GR 220/380V-4000W 6P	RESISTANCE 2GR 220/380V 4000W 6P.	HEIZKORPER 2GR 220/380V 4000W 6P
2	WY17059	RESISTENZA 2GR 6P 230/380V 3400W	HEATING EL.2GR 220/380V-3400W 6POLE	RESISTANCE 2GR 220/380V-3400W 6POLE	HEIZKORPER 2GR 220/380V-3400W 6P
2	WY17060	RESISTENZA 2GR 6P 230/380V 4500W	HEATING EL.2GR 230/380V 4500W 6POLE	RESISTANCE 2GR 230/380V 4500W 6POLE	HEIZKORPER 2GR 230/380V 4500W 6P
2	WY17063	RESISTENZA 2GR 6P 230/380V 6000	HEATING EL. 2GR 220/380V 6000W 6P	RESISTANCE ELEC. 220/380V 6000W 6P	HEIZKORPER 2GR 220/380V 6000W 6P
2	WY17100	RES.3GR 4P 120V 3700W	HEATING ELEMENT 3 GR 110V 3700W	RESISTANCE ELEC. 3GR 110V 3700W	HEIZKORPER 3GR 110V 3700W
2	WY17101	RES.3GR 4P 230/240V 3700W	HEATING ELEMENT 3GR 220/240V 3700W	RESISTANCE ELEC. 3GR 220/240V 3700W	HEIZKORPER 3GR 220/240V-3700W
2	WY17103	RES.3GR 4P 380V 5000W	HEATING ELEMENT 3GR 380V 3700W	RESISTANCE ELEC. 3GR 380V 3700W	HEIZKORPER 3GR 380V 3700W
2	WY17106	RES.3GR 4P 230/240V 5000W	HEATING ELEMENT 3GR 220/240V 5000W	RESISTANCE ELEC. 3GR 220/240V 5000W	HEIZKORPER 3GR 220/240V 5000W
2	WY17107	RESISTENZA 3GR 6P 230/380V 5000W	HEATING EL. 3GR 220/380V 5000W 6P	RESISTANCE 3GR 220/380V 5000W 6P	HEIZKORPER 3GR 220/380V 5000W 6P
2	WY17150	RES.4GR 4P 230/240V 5000W	HEATING ELEMENT 4GR 220/240V 5000W	RESISTANCE ELEC. 4GR 220/240V 5000W	HEIZKORPER 4GR 220/240V 5000W
2	WY17151	RES.4GR 6P 230/380V 5000W	HEATING EL. 4GR 220/380V 5000W 6P	RESISTANCE 4GR 220/380V 5000W 6P	HEIZKORPER 4GR 220/380V 5000W 6P
2	WY17153	RES.4GR 6P 230/380V 6000W	HEATING EL. 4GR 220/380V 7000W 6P	RESISTANCE 4GR 220/380V 7000W 6P	HEIZKORPER 4GR 220/380V 7000W 6P
3	WY12001	GUARNIZIONE TEFLON VERGINE X RES/SCA	TEFLON GASKET ELEMENT/EXCH. 58X43X2	JOINT TEFLON RESIST/ECHANG. 58X43X2	TEFLON DICHTUNG 58X23X2
4	WY23133	PRIGIONIERO INOX AISI304 8X30 DIN 939	STAINLESS STEEL BOLT AISI304 8X40	VIS INOX AISI304 8X40	STAHLSCHRAUBE 8X40 AISI304 8X40
5	WY43060	RACCORDO 1/4X1/4X1/4 T	'T' CONNECTOR 1/4 + 1/4 + 1/4	RACCORD 'T' 1/4 + 1/4 + 1/4	T'-ANSCHLUSS 1/4+1/4+1/4
6	WY12100	GUARNIZIONE CU/ALIM 1/4 18.7X13.2X2.5	CU GASKET 1/4 18.7X13.2X2.5	JOINT CU 1/4 18.7X13.2X2.5	CU DICHTUNG 1/4 18.7X13.2X2.5
7	WY77415	PANN.COPRICALDAIA 1GR ZN WE	BOILER COVER PANEL 1GR ZN WE	PANNEAU COUVRE-CHAUDIERE 1GR ZN WE	KESSELDECKUNG TAFEL 1GR ZN WE
7	WY77416	PANN.COPRICALDAIA 2GR ZN WE	BOILER COVER PANEL 2GR ZN WE	PANNEAU COUVRE-CHAUDIERE 2GR ZN WE	KESSELDECKUNG TAFEL 2GR ZN WE
7	WY77417	PANN.COPRICALDAIA 3GR ZN WE	BOILER COVER PANEL 3GR ZN WE	PANNEAU COUVRE-CHAUDIERE 3GR ZN WE	KESSELDECKUNG TAFEL 3GR ZN WE
7	WY77418	PANN.COPRICALDAIA 4GR ZN WE	BOILER COVER PANEL 4GR ZN WE	PANNEAU COUVRE-CHAUDIERE 4GR ZN WE	KESSELDECKUNG TAFEL 4GR ZN WE
8	WY12153	GUARNIZIONE CU 1/4 17X13.3X1.5	1/4 17X13.3X1.5 COPPER SEAL	JOINT CUIVRE 1/4 17X13.3X1.5	KUPFERDICHTUNG 1/4 17X13.3X1.5
9	WY25686	RACCORDO 1/4X1/4 FLANGIA	CONNECTOR 1/4 X 1/4 FLANGE	RACCORD 1/4 X 1/4 BRIDE	ANSCHLUSS 1/4X1/4 FLANSCH
10	WY12007	GUARNIZIONE KLINGERSIL4400	KLINGERSIL4400 COPPER SEAL	JOINT KLINGERSIL4400 POUR BOUCHON	DICHTUNG KLINGER SIL4400 X DECKEL



Pos	Cod.	Denominazione - IT -	Denomination - GB -	Denomination - FR -	Denomination - DE -
11	WY25782	TAPPO FEMMINA 1/4 GAS	1/4 GAS FEMALE TAP	BOUCHON FEMELLE 1/4 GAZ	INNENANSCHLUSSSTÖPSEL 1/4 GAS
12	WY23214	RACCORDO 1/2 L	CONNECTOR 1/2 L	RACCORD 1/2 L	FITTING 1/2 L
13	WY12105	GUARNIZIONE CU/ALIM 1/2 GAS	CU GASKET 1/2 GAS	JOINT CU 1/2 GAZ	CU DICHTUNG 1/2 GAS
14	WY25687	RACCORDO 3/8X3/8 GAS	3/8X3/8 GAS FITTING	RACCORD 3/8X3/8 GAZ	ANSCHLUSS 3/8X3/8 GAS
15	WY12154	GUARNIZIONE CU 3/8 22X17X1.5	3/8 22X17X1.5 COPPER SEAL	JOINT CUIVRE 3/8 22X17X1.5	KUPFERDICHTUNG 3/8 22X17X1.5
16	WY52000118	TBS.D-10 L.130 AL - ER A 50 PESCANTE	TUBE D-10 L.100 AL A50	TUYAU D-10 L.100 AL A50	ROHR D-10 L.100 AL A50
16	WY52000184	TBS.D-10 L.120 CORTO A50/C PESCANTE	TUBE D-10 L.120 A50/C	TUYAU D-10 L.120 A50/C	ROHR D-10 L.120 A50/C
17	WY25780	TAPPO MASCHIO OTTONE 1/4	BRASS MALE CAP 1/4	BOUCHON MALE LAITON 1/4	MESSING-STOPFEN 1/4
18	WY56150	VALVOLA ANTIRISUCCHIO V.A.R.	ANTI-EDDY VALVE V.A.R.	SOUPAPE ANTI-DEPRESSION V.A.R.	VENTIL UNTERDRUCKFREI V.A.R.
19	WY15006001	FLANGIA GRIGOLY VALVOLA SIC.	FLANGE GRIVORY VALVE	JOINT GRIVORY VANNE	FLANSCH GRIVORY VENTIL
20	WY20352	VALVOLA DI SICUREZZA *CE*	*CE* SAFETY VALVE	SOUPAPE DE SECURITE *CE*	SICHERHEITSVENTIL *CE*
20	WY20356	VALVOLA DI SICUREZZA CE ITALIA	*CE* SAFETY VALVE ITALY	SOUPAPE DE SECURITE *CE* ITALY	SICHERHEITSVENTIL *CE* ITALY
21	WY12300000	GUARNIZIONE OR 3156 VITON X PISTONI	O RING VITON	JOINT OR VITON	OR DICHTUNG VITON
22	WY56009980	ASSIEME PROTEZIONE VALVOLE SICUREZZA	UNIT PROTECTION VALVE	ENSEMBLE PROTECTION VANNE	SATZ-SCHUTZGITTER VENTIL
23	WY15478002	TUBO SILICONE 8X11 L.70CM	SILICONE TUBE 8X11 L.70CM	TUYAU SILICONE 8X11 L.70CM	SILIKONROHR 8X11 L.70CM
24	WY20251	SONDA LIVELLO TL 10/B L125 908600	TL 10/B L125 900000 LEVEL PROBE	JAUGE TL 10/B L125 900000	PEGELFÜHLER TL 10/B L125 900000
25	WY62050001	CALDAIA 1GR ER SC.D-60	BOILER 1GR - DISTRIBUTION	CHAUDIERE 1GR - DEBIT	KESSEL 1GR - AUSGABE
25	WY62204001	CALDAIA 2GR ER SC.D-60	BOILER 2GR - DISTRIBUTION	CHAUDIERE 2GR - DEBIT	KESSEL 2GR - AUSGABE
25	WY62281001	CALDAIA 3GR ER SC.D-60	BOILER 3GR - DISTRIUTION	CHAUDIERE 3GR - DEBIT	KESSEL 3GR - AUSGABE
25	WY62380001	CALDAIA 4GR ER SC.D-60	BOILER 4GR - DISTRIBUTION	CHAUDIERE 4GR - DEBIT	KESSEL 4GR - AUSGABE
26	WY23215	RACCORDO 1/2 T	CONNECTOR 'T' 1/2	RACCORD 1/2 "T"	FITTING 1/2 "T"
27	WY52002788	TBS.D-6 L.85 1-4GR W 67 INIETTORE	DRAIN TUBE D6 L85 1-4GR	TUYAU A VIDANGER D6 L85 1-4GR	ROHR D-6 L.85
28	WY12003	GUARNIZIONE TEFLON VERGINEXCALDAIA	BOILER TEFLON GASKET 190X139X2	JOINT CHAUDIERE TEFLON 190X139X2	TEFLON KESSELDICHTUNG 190X139X2
29	WY53011	FLANGIA NORMALE SENZA FORI	FLANGE WITHOUT HOLES	BRIDE SANS TROUS	NORMALER FLANSCH OHNE LÖCHER
30	WY23556	VITE TCEI INOX 10X20 UNI5931 DIN912	STEEL SCREW TCCE 10X20	VIS INOX TCCE 10X20	STAHLSCHRAUBE TCCE 10X20
31	WY23135	PRIG.INOX MEM ASTM-A193 B8 10X32 CT	STEEL BOLT ASTM-A193 B8 10X32 CT	VIS INOX ASTM-A193 B8 10X32 CT	STAHLSCHRAUBE ASTM-A193 B8 10X32 CT
32	WY23052	DADO OTTONE M10 UNI 5587 #	TOP BRASS NUT M10 UNI 5587	ECROU LAITON SUPERIEUR M10 UNI 5587	UNTER/MESSING MUTTER M10 UNI 5587